



## DIFUSOR 44-SF-TR

*Diffuser with height-adjustable central core by means of thermal component.*

*New design*

# DIFUSOR 44-SF-TR

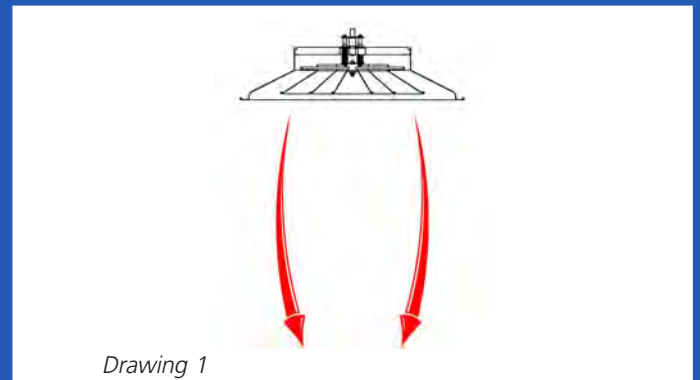


The new 44-SF-TR diffuser includes a thermal component that expands or contracts when the supply air temperature varies, by means of a mechanism that changes the cone position without the need to do this manually.

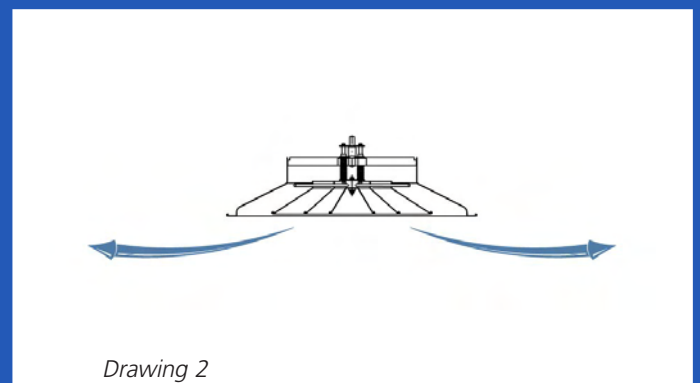
As a result, when hot air is supplied, the thermal component shifts the set of inner rings upward, causing the air to flow out vertically (drawing 1).

Likewise, when cold air is supplied, the thermal component shifts the inner rings downward, causing the air to flow out horizontally, thereby producing the Coanda or ceiling effect (drawing 2).

The new 44-SF-TR diffuser is ideal for use in high ceilings (from 4 to 7 m), preventing stratification and controlling velocity in the occupied area.



Drawing 1



Drawing 2

## QUICK SELECTION TABLE

HORIZONTAL		m <sup>3</sup> /h (Pa)				
Size	25 dB(A)	30 dB(A)	35 dB(A)	40 dB(A)	45 dB(A)	
160	225 (14)	260 (20)	300 (27)	350 (39)	410 (52)	
200	350 (9)	410 (13)	475 (17)	560 (24)	675 (35)	
250	525 (12)	625 (17)	725 (23)	875 (33)	1025 (45)	
315	850 (12)	1000 (17)	1150 (22)	1350 (31)	1600 (43)	
355	975 (11)	1150 (15)	1380 (21)	1650 (30)	1950 (42)	

VERTICAL		m <sup>3</sup> /h (Pa)				
Size	25 dB(A)	30 dB(A)	35 dB(A)	40 dB(A)	45 dB(A)	
160	190 (13)	230 (20)	270 (27)	320 (38)	375 (52)	
200	230 (8)	285 (13)	350 (19)	425 (28)	515 (42)	
250	425 (11)	500 (15)	600 (21)	725 (31)	875 (46)	
315	675 (11)	800 (15)	950 (21)	1150 (31)	1360 (43)	
355	780 (10)	925 (14)	1100 (19)	1300 (27)	1550 (38)	

**Mech-Elec UK,**  
Unit 1, Bretts Farm,  
Romford Road,  
Aveley,  
Essex,  
RM15 4XD.

Tel: +44 208133 9745

E-Mail: [info@mech-elec.net](mailto:info@mech-elec.net)

Web: <http://www.mech-elec.net>

