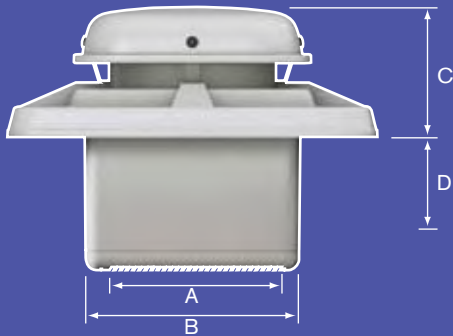


CDFR

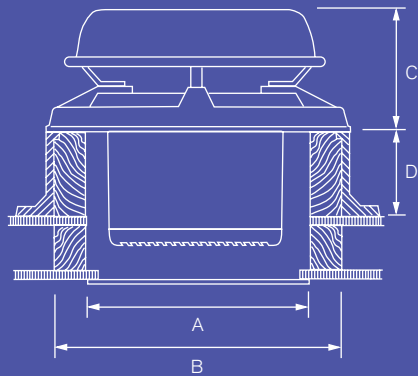
Flat roof fans

Physical specification

All measurements in millimetres.



Side



	6"	9"	12"
A min	400	400	500
B	600	600	695
C	235	245	266
D min	150	150	150

Weight:	CD6FR	6.15 kg
	CD9FR	9.1 kg
	CD12FR	11 kg

Features

- Complete kit including one piece roof cowl
- Reversible supply or extract, variable speed operation
- Thermoactuated backdraught shutters ensures silent operation and positive closure when fan is off
- Choice of controllers, remote and integral sensors
- 6", 9" and 12" models available

Controls

Model	Operation
CD6FR	6" flat roof kit
CD9FR	9" flat roof kit
CD12FR	12" flat roof kit
RC4	Switch controller with on/off, forward reverse, variable speed and auto/manual functions

Installation

Wiring: Must comply with IEE Regulations, see wiring diagrams on page 130.

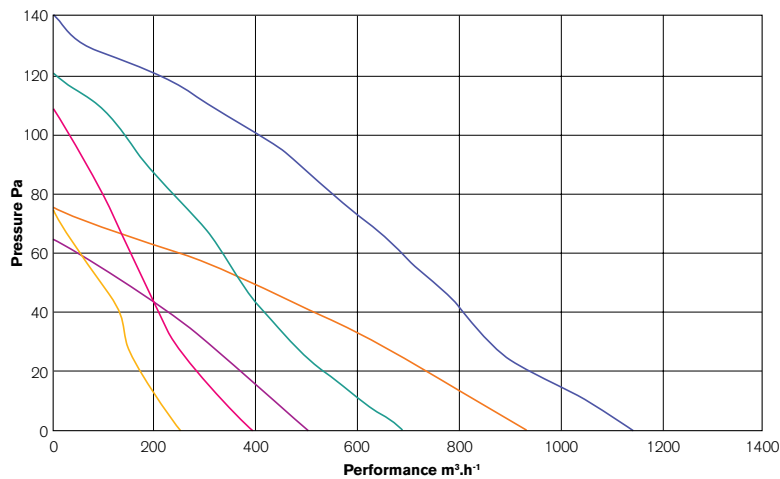
Cable: 1mm² Ø max or min.

Fuse: 3 amp (when fan is supplied from a 6A lighting circuit no local fuse is required).

Performance

Model	Performance to BS 848 Pt1 in free air (m ³ .h ⁻¹)		Sound Pressure level @ 3m dB(A)		Consumption (W)	
	Boost	Eco	Boost	Eco	Boost	Eco
CD6FR	394	202	47	30	38	20
CD9FR	700	597	48	44	50	37
CD12FR	1149	775	48	32	100	70

Note: figures are extract only.



CD6 Extract — CD9 Extract — CD12 Extract —
 CD6 Supply - - - CD9 Supply - - - CD12 Supply - - -

Electrical Specification: 230V~50Hz Class I
Consumption:

CD6FR	Boost 38W	Eco 20 W
CD9FR	Boost 50W	Eco 37 W
CD12FR	Boost 100W	Eco 70 W

Specification



2 YEAR GUARANTEE

Ancillaries

Eco switch



RC4 Remote switch – on/off, forward/reverse, variable speed, eco/boost, auto/manual.

Remote sensor options:

HHR Remote humidity sensor.

AQR Remote air quality sensor.

PIRR Remote PIR sensor.

THR Remote temperature sensor.

TAR Remote overrun timer.

Integral sensor options

HH6/HH9/HH12 Integral humidistat.

AQ6/AQ9/AQ12 Integral air quality sensor.

PIR6/PIR9/PIR12 Integral PIR sensor.

TH6/TH9/TH12 Integral temperature sensor.

TA6/TA9/TA12 Integral overrun timer.

EFR Extended fixing rods.

