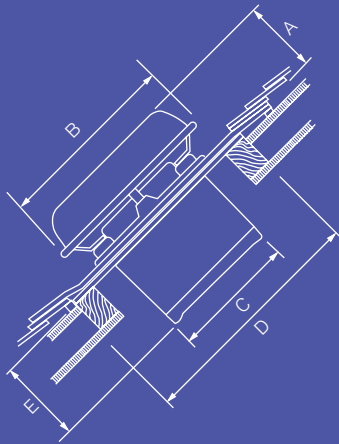
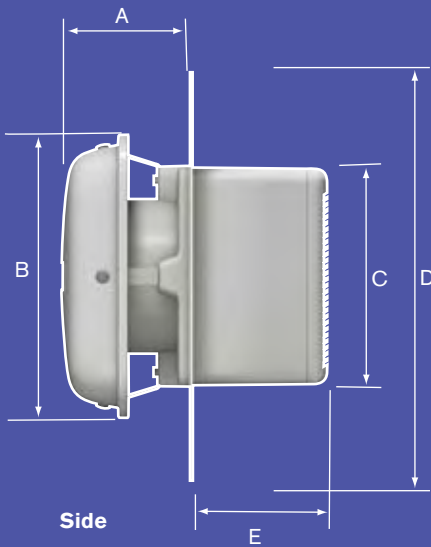


CDPR

Eco pitched roof fans

Physical specification

All measurements in millimetres.



	6"	9"	12"
A	170	180	185
B	360	425	506
C	272	342	420
D	400	475	550
E	160	158	167
Trimmed	320	385	450
Opening	x	x	x
Size	320	385	450

Weathering supplied by others.

Weight:	CD6PR	4.0 kg
	CD9PR	8.9 kg
	CD12PR	11.8 kg

Features

- Complete kit including fixing plate for suitably spaced purlins and trimmers
- Reversible, supply and extract, variable speed operation
- Thermoactuated backdraught shutters ensures silent operation and positive closure when fan is off
- Choice of controllers, remote and integral sensors
- Kit enables components to be accessible from inside providing easy access for maintenance
- 6", 9" and 12" models available

Controls

Model	Operation
CD6PR	6" pitched roof kit
CD9PR	9" pitched roof kit
CD12PR	12" pitched roof kit
RC4	Switch controller with on/off, forward reverse, variable speed and auto/manual functions

Installation

- Wiring:** Must comply with IEE Regulations, see wiring diagrams on page 130.
- Cable:** 1mm² Ø max or min.
- Fuse:** 3 amp (when fan is supplied from a 6A lighting circuit no local fuse is required).

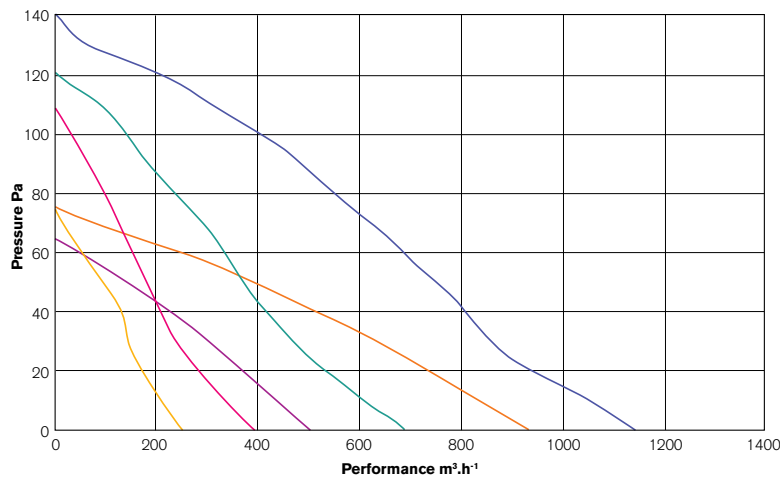


Eco: Commercial

Performance

Model	Performance to BS 848 Pt1 in free air (m ³ .h ⁻¹)		Sound Pressure level @ 3m dB(A)		Consumption (W)	
	Boost	Eco	Boost	Eco	Boost	Eco
CD6PR	394	202	47	30	38	20
CD9PR	700	597	48	44	50	37
CD12PR	1149	775	48	32	100	70

Note: figures are extract only.



CD6 Extract CD9 Extract CD12 Extract —
 CD6 Supply CD9 Supply CD12 Supply —

Electrical Specification: 230V~50Hz Class I
Consumption:
 CD6PR Boost 38W Eco 20 W
 CD9PR Boost 50W Eco 37 W
 CD12PR Boost 100W Eco 70 W

Specification



2 YEAR GUARANTEE

Ancillaries

Eco switch



RC4 Remote switch – on/off, forward/reverse, variable speed, eco/boost, auto/manual.

Remote sensor options:

HHR Remote humidity sensor.

AQR Remote air quality sensor.

PIRR Remote PIR sensor.

THR Remote temperature sensor.

TAR Remote overrun timer.

Integral sensor options

HH6/HH9/HH12 Integral humidistat.

AQ6/AQ9/AQ12 Integral air quality sensor.

PIR6/PIR9/PIR12 Integral PIR sensor.

TH6/TH9/TH12 Integral temperature sensor.

TA6/TA9/TA12 Integral overrun timer.

EFR Extended fixing rods.

