

Difusor DF-47-TR

*Long-throw, wax operated,
rectangular diffuser*

New design

Difusor DF-47-TR

The new DF-47-TR diffuser includes an interior mechanism which comes into operation depending on the supply air temperature, varying the position of the diffuser core without it having to be done manually or by using an electric servomotor.

With hot air (supply temperature $\geq 30^\circ$), the diffuser core moves downwards to a certain angle which has been set beforehand or which can be easily regulated during the commissioning of the installation (drawing 1).

In the same way, if we supply cold air, the diffuser core moves upwards to the previously set angle, which can also be modified on site (drawing 2).

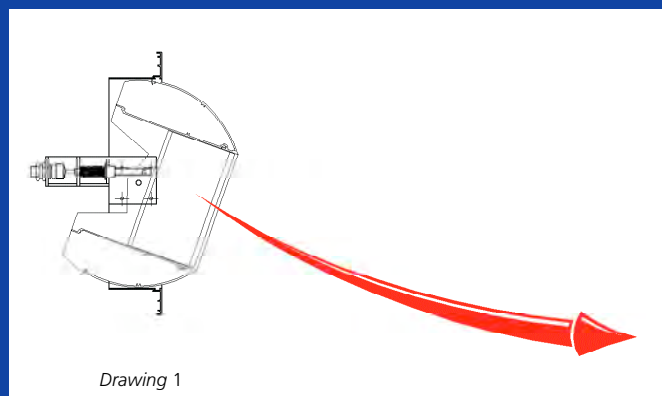
The diffuser is fitted with deflecting vanes which allow the air flow to be opened horizontally or for it to be concentrated on a specific point.

Thus, the diffuser prevents the hot air from being stratified and controls residual velocities in occupied areas by supplying cold air.

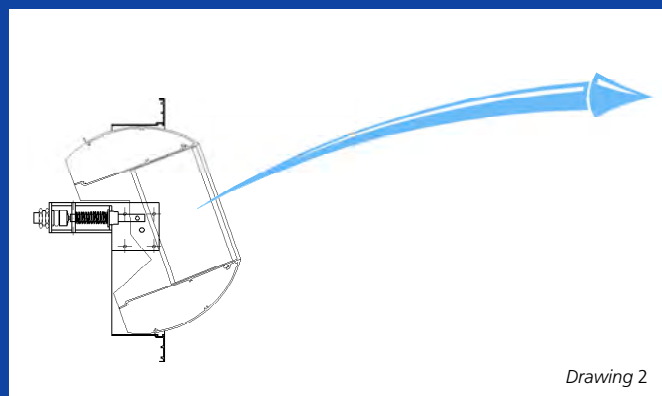
The DF-47-TR diffuser is suitable for installations which require long throws and heights of between 3,5 and 7 m. The diffuser can be adapted directly to a circular duct (DF-47-CC-TR) (picture 1).

A regulation damper can be incorporated too (29-O-47).

Further information about technical data and dimensions in the catalogue of DLA



Drawing 1



Drawing 2



Picture 1

Mech-Elec UK,
Unit 1, Bretts Farm,
Romford Road,
Aveley,
Essex,
RM15 4XD.

Tel: +44 208133 9745

E-Mail: info@mech-elec.net

Web: <http://www.mech-elec.net>



MODELS AND QUICK SELECTION TABLE

Model	SOUND POWER - AIRFLOW - ΔP_t				
	m ³ /h (Pa)				
	30 dB(A)	35 dB(A)	40 dB(A)	45 dB(A)	50 dB(A)
DF-47-23-TR	500 (29)	590 (40)	690 (56)	810 (77)	950 (106)
DF-47-26-TR	880 (24)	1.040 (33)	1.220 (36)	1.430 (63)	1.680 (86)
DF-47-36-TR	1.320 (21)	1.550 (29)	1.820 (40)	2.130 (54)	2.500 (75)
DF-47-312-TR	2.350 (17)	2.750 (23)	3.250 (32)	3.820 (44)	4.470 (61)