



## Difusor DF-89

*Long throw nozzle*

FEI-DF89-0809-02

# Difusor DF-89

Mech-Elec®

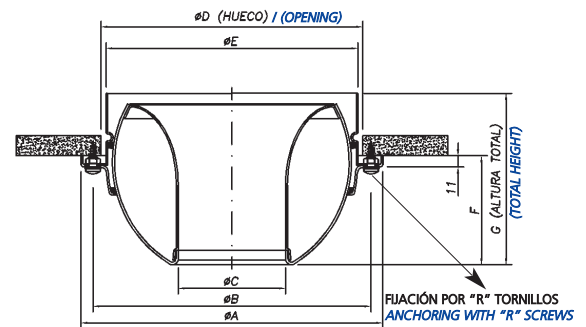
## Description

The long-throw nozzle difusor and the decorative ring are manufactured in aluminium, with a standard paint finish in RAL 9010 white. The connection part is manufactured of galvanised steel sheet. The DF-89 nozzle has an extraordinarily good aesthetic design and can be painted by special order to fit any decorative need

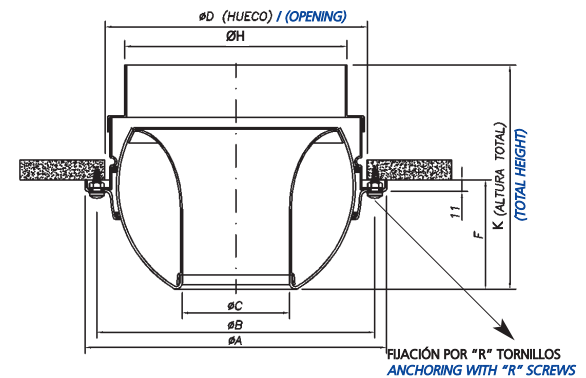
## Application

The DF-89 nozzle provides long throws with a low noise level, releasing a long air jet with exceptional precision to a length of over 30 metres. They can be used for spot cooling and are specially appropriate for large rooms requiring a decorative look, for instance, large vestibules, nightclubs or entertainment areas, department stores, hotels, etc. The configuration allows the nozzle to swivel in all directions up to a maximum of  $\pm 30^\circ$  in the horizontal or vertical direction.

DF-89



Connection for round duct



## DIMENSIONS

MODEL	ØA	ØB	ØC	ØD	ØE	F	G	ØH	K	R
5	181	162	55	142	135	68	95	123	130	4
8	250	232	90	209	208	93	136	198	154	4
10	299	279	123	267	267	112,5	170,5	248	202	5
12	355	336	155	318	314	132	198	313	203	6
16	471	444	220	425	417	180	282	398	289	8

## QUICK SELECTION TABLE

SOUND POWER- AIR FLOW					
$\Delta Pt$ - MAX. HORIZONTAL THROW					
Model	m <sup>3</sup> /h (Pa) [m]				
	30 dB(A)	35 dB(A)	40 dB(A)	45 dB(A)	50 dB(A)
5	130 (115) [12,1]	160 (160) [14,3]	180 (223) [16,8]	220 (310) [19,9]	256 (431) [23,4]
8	290 (90) [15,8]	340 (125) [18,7]	400 (175) [22]	470 (244) [25,9]	560 (339) [>30]
10	450 (61) [17]	530 (85) [20,0]	620 (107) [23,4]	740 (166) [27,9]	870 (229) [>30]
12	770 (67) [23,9]	910 (94) [28,2]	1070 (130) [>30]	1270 (181) [>30]	1490 (252) [>30]
16	1270 (42) [26,4]	1500 (58) [>30]	1770 (81) [>30]	2090 (112) [>30]	2460 (156) [>30]

X(m) Horizontal throw for a terminal air velocity of 0.5 m/s