

DFRE-P

Suitable for installation in steps risers or under seats.

DFRE-P

Description

Step swirl diffusers, type DFRE-P, comprise a circular or square plate with fixed blades.

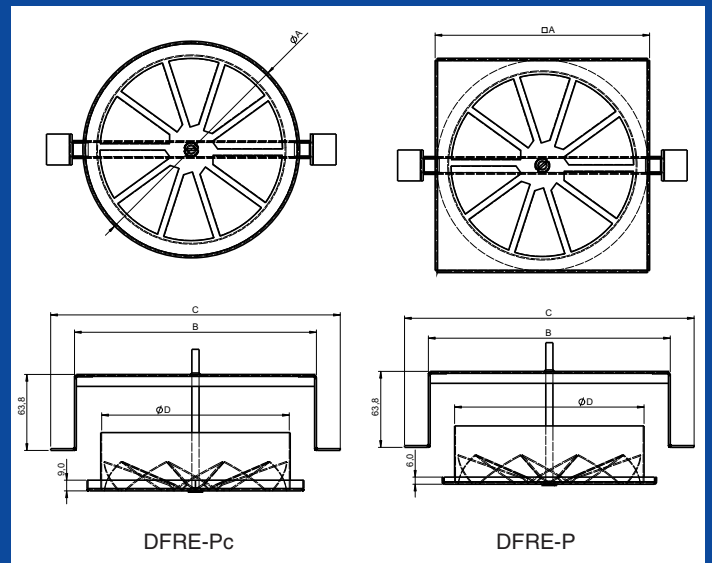
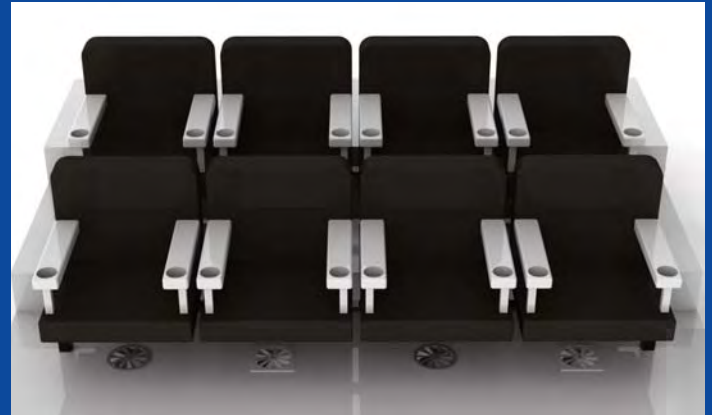
Application

Step swirl diffusers are designed for theatres, auditoria, cinemas etc... The unit is flush mounted, allowing installation in step risers or under seats, installed one diffuser per seat. This generates an individual microclimate, providing the necessary ventilation required per person. Due to the extremely short distance from the diffuser to the legs of the seated person, it is recommended to work with a maximum air temperature difference (supply-ambient) of $\pm 6^{\circ}\text{C}$ to achieve optimum comfort conditions.

Not suitable for foot traffic.

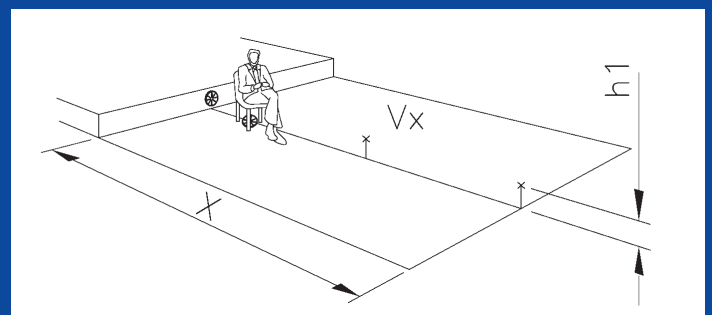
Finishes

Made from sheet steel and painted in white colour (RAL 9010) or in black colour (RAL9005) as standard finish. Other RAL available upon request.



DIMENSIONS

NOMINAL	A	B	C	D
125	150	165	200	124
160	Ø182/□180	200	240	159



V_x = Velocity at a distance of 0.7 m from the diffuser

h_1 = Distance of 0.1 m above the ground

Δt = -6°C

QUICK SELECTION TABLE

Size	Q (m ³ /h)	L _{WA} [dB(A)]	ΔP (Pa)	V_x (m/s)
125	50	20	10	0,15
	65	26	16	0,17
	80	32	26	0,23
160	90	20	12	0,17
	110	26	18	0,21
	140	32	29	0,29

Mech-Elec UK,
Unit 1, Bretts Farm,
Romford Road,
Aveley,
Essex,
RM15 4XD.

Tel: +44 208133 9745

E-Mail: info@mech-elec.net

Web: <http://www.mech-elec.net>

